

## Piloted Actuated Water Drawback Valves

When this Normally-Closed valve closes a spring biased internal piston draws back a small volume on outlet side (approx. 5 cc) thus preventing overflow or dribbles. Ideal for use in quenching or water spray applications.

Medium:  
Water or Other Light Liquids

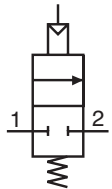
Flow:  
1.2 L. H<sub>2</sub>O per min. @ 5.5 bar

Input Pressure:  
7 bar max.


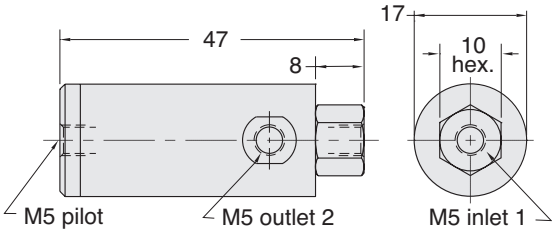
Drawback:  
1.2 ml

Pilot Pressure:  
1.8 bar min.


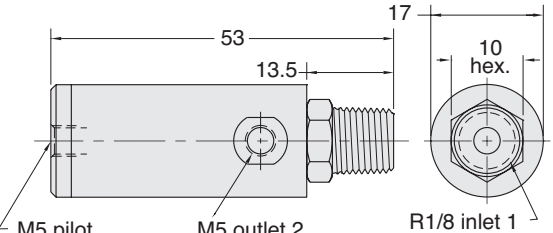
Mounting:  
In-line



**M5 Ports**

**R 1/8 Inlet & M5 Outlet Ports**

Part No.	Description
M-WDV-2	Poppet Valve with Air Pilot, M5
M-WDV-2P	Poppet Valve with Air Pilot, R1/8